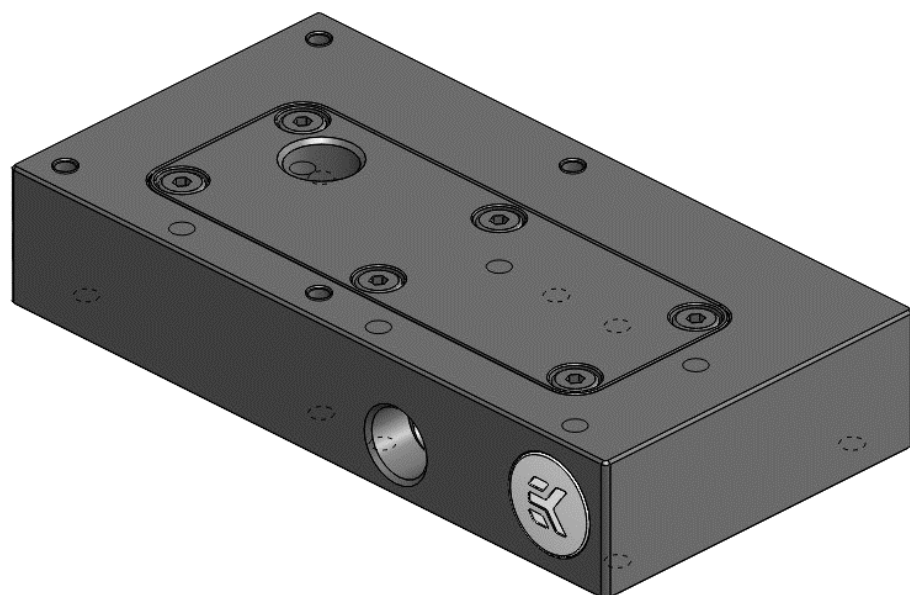


This product is intended for installation only by expert users. Please consult with a qualified technician for installation. Improper installation may result in damage to your equipment. EK Water Blocks assumes no liability whatsoever, expressed or implied, for the use of these products, nor their installation. The following instructions are subject to change without notice. Please visit our web site at www.ekwb.com for updates. Before installation of this product please read important notice, disclosure and warranty conditions printed on the back of the box.

The barb hose fittings require only a small amount of force to screw them in; otherwise the high flow fittings might break. These fittings do not need to be tightened with much force because the liquid seal is made using O-rings. The use of an algacide and corrosion inhibitors is always recommended for any liquid cooling system.

STEP 1: GENERAL INFORMATION

Sample picture of the EK-Xtop Dual DDC without pumps.



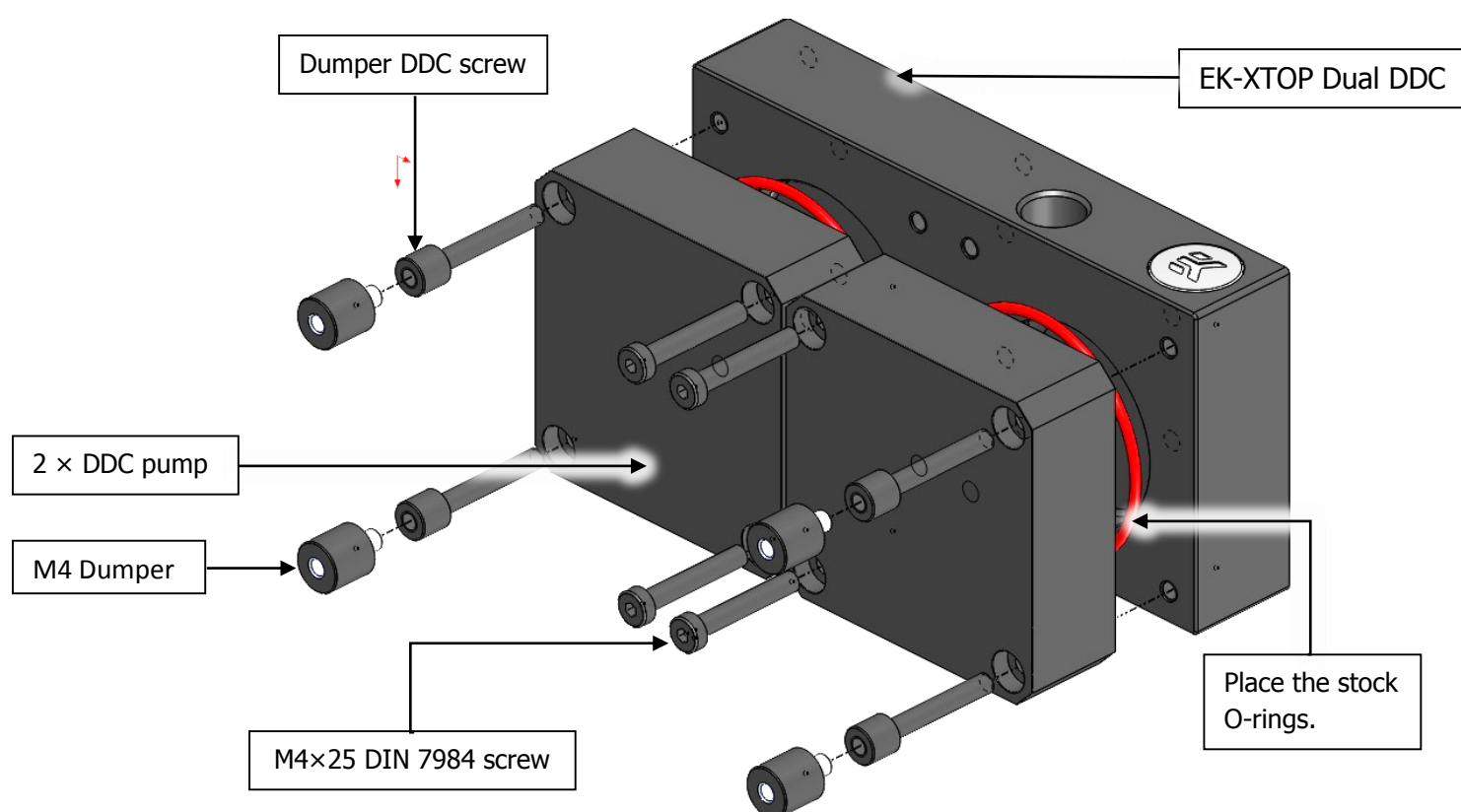
STEP 2: PREPARING THE PUMP

Take your Laing DDC pump. Unscrew the screws that connect stock top (usually you will need a Torx T20 head screwdriver) at the bottom and put the top away as you don't need it any more. Keep it for a warranty reason if the pump stops working.



STEP 3: ASSEMBLING THE "EK-XTOP Dual DDC 3.2 PWM" WITH TWO PUMPS (if disassembled)

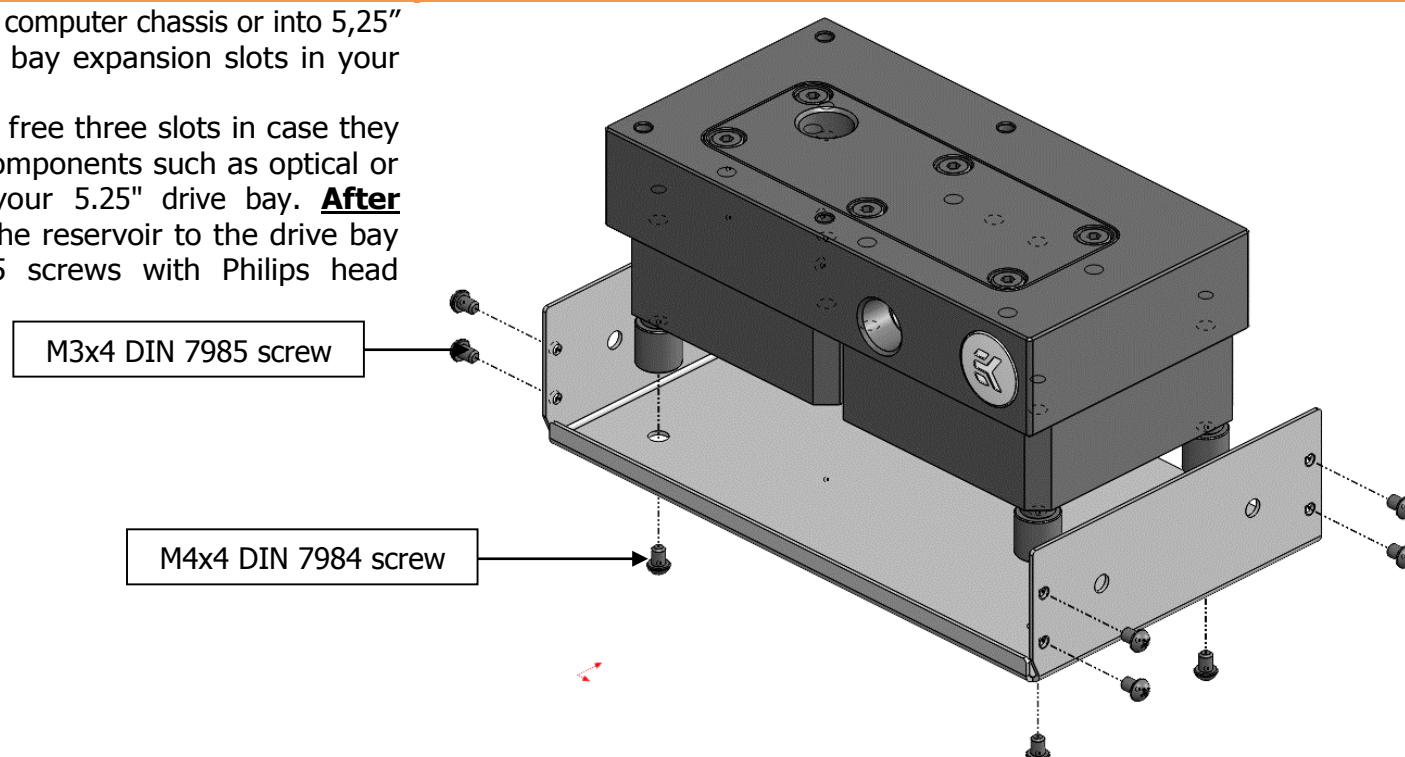
Take motor with impeller of your Laing DDC pump. Place it according to the picture. Do not forget to place back the stock O-rings into the pumps groove. Use enclosed Allen key to secure the pumps with Four (4) M4x25 DIN 7984 and Four (4) Dumper DDC screws.



STEP 4: INSERTING THE RESERVOIR TO YOUR COMPUTER CHASSIS

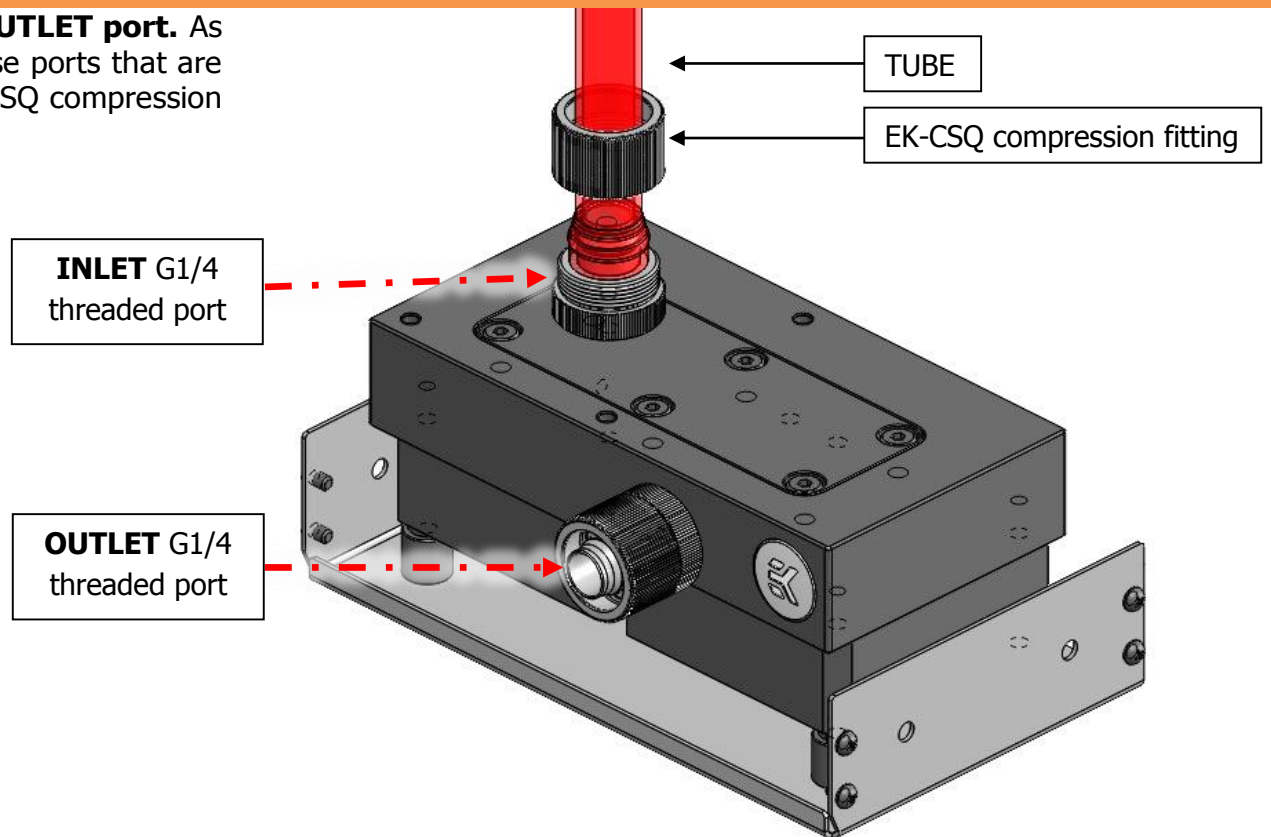
EK-XTOP Dual DDC can be mounted directly on computer chassis or into 5,25" bay drive and occupies three (3) 5.25" drive bay expansion slots in your computer chassis.

If you decided to mount into Bay Drive slots free three slots in case they are already occupied with other computer components such as optical or hard disk drives. Place the reservoir in your 5.25" drive bay. **After** completing **STEP 5** in this manual, secure the reservoir to the drive bay cage using the enclosed M3x4 DIN 7985 screws with Philips head screwdriver.



STEP 5: CONNECTING YOUR RESERVOIR

It is mandatory to use the correct **INLET** and **OUTLET** port. As an inlet and outlet port you **need to** use exactly those ports that are shown in the figure right. EK recommends using EK-CSQ compression fittings for best water cooling experience.

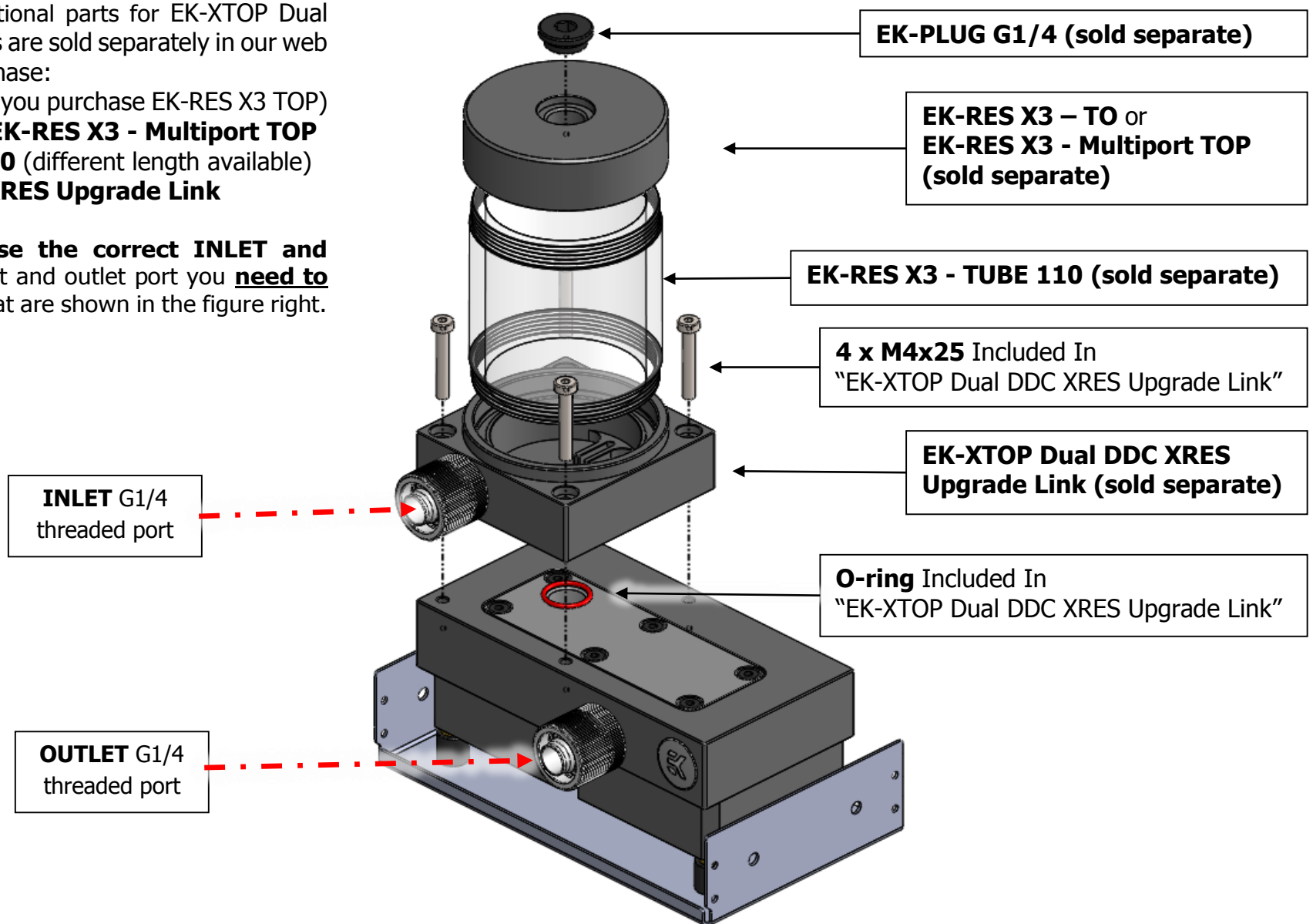


STEP 6 (Option): MOUNTING RESERVOIR ON "EK-XTOP Dual DDC 3.2 PWM"

At first you need buy optional parts for EK-XTOP Dual DDC. These optional parts are sold separately in our web shop. You need to purchase:

- **EK-PLUG G1/4** (only if you purchase EK-RES X3 TOP)
- **EK-RES X3 – TOP** or **EK-RES X3 - Multiport TOP**
- **EK-RES X3 - TUBE 110** (different length available)
- **EK-XTOP Dual DDC XRES Upgrade Link**

It is mandatory to use the correct **INLET** and **OUTLET** port. As an inlet and outlet port you **need to** use exactly those ports that are shown in the figure right.



STEP 7: OTHER INSTRUCTIONS

VERY IMPORTANT NOTICE: Once the installation is completed, it is a recommended practice to test the cooling circuit for leaks prior to powering up the computer. We recommend a 24 hour leak test prior to powering up the computer. Do not test the water block using tap water pressure. This will rupture the top of the housing and render the block unusable (and will void your warranty). While all efforts have been made to provide the most comprehensive tutorial possible, EK Water Blocks assumes no liability expressed or implied for any consequential damage(s) occurring to your equipment as a result of using EK Water Blocks cooling products, either due to errors or omissions on our part in the above instructions, or due to failure or defect in the EK Water Blocks cooling products.

WARRANTY: Our products are warranted against defects in materials or workmanship for a period of 24 months beginning from the date of delivery to the final user. During this period, products will be repaired or have parts replaced at our discretion provided that: (I) the product is returned to the agent from whom it was purchased; (II) the product has been purchased by an end user and has not used for commercial purposes; (III) the product has not been misused, handled carelessly, or used in a manner other than in accordance with the instructions provided describing its installation and proper use. This warranty does not confer rights other than those expressly set out above and does not cover any claims for consequential loss or damage. This warranty is offered as an extra benefit and does not affect your statutory rights as a consumer. This warranty is voided if the product comes in contact with aggressive UV additives or other improper liquids.

REQUIRED TOOLS:



Philips and Torx T20 head screwdriver



2,5mm allen key